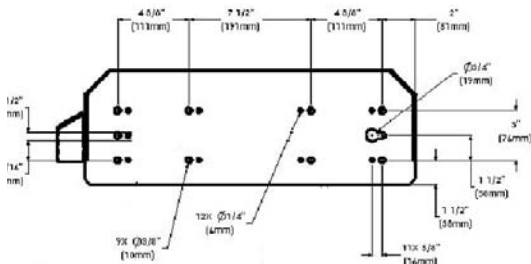
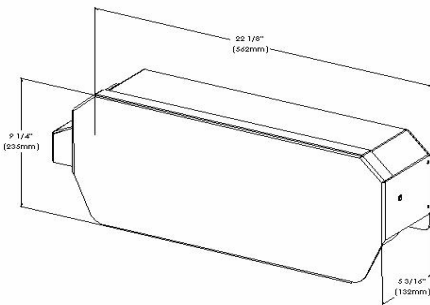
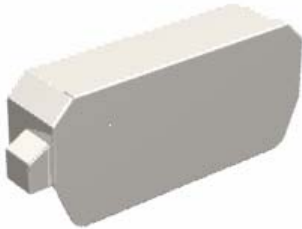


# VANDALSTOP PRODUCTS™

## TECHNICAL DATA SHEET

MODEL # OFUX2-MJ

### FLIP FRONT TISSUE DISPENSER MINI-JUMBO



#### MINI JUMBO ROLL DISPENSER

- VANDAL RESISTANT
- DRIP DEFLECTIVE
- SHROUDED PADLOCK HASP
- SURFACE MOUNTED
- MULTIPLE PAPER STYLES
- MEETS CRES® SPECIFICATIONS
- LIFETIME FUNCTIONAL WARRANTY

#### CONSTRUCTION:

##### HOUSING AND DOOR:

- Manufactured from 12-gauge 316L stainless steel.

##### FINISH:

- Stainless steel satin #4 finish.

##### MOUNTING:

- Eight- 1/2 inch mounting hole placements.

##### CAPACITY:

- 2 standard-core or 2 standard Mini-Jumbo, or 2 high-density coreless toilet tissue rolls.

#### INSTALLATION:

Secure fixture to wall with appropriate 1/2 inch stainless steel anchoring hardware for optimal installation strength (not provided). Recommend 3/4 inch or greater back bracing for walls. Partitions may require T-nuts or other suitable anchoring devices. When possible it is recommended that units be through bolted back-to-back providing optimal installation strength.

#### GUIDE SPECIFICATION:

Dispenser shall be constructed with American-made 12 gauge 316L stainless steel assembled with TIG welds, polished smooth and edges de-burred. Dispenser shall not be cross-metal contaminated during manufacturing construction. Dispenser shall have housing covering tissue paper and have protective shroud for regular padlock use (padlock not furnished). Dispenser shall have 1/2 inch mounting holes. Dispenser shall accept multiple paper styles, be drip deflective and shall include a lifetime functional warranty.

Overall dimensions: 22-<sup>1/8</sup>," W x 9-<sup>1/4</sup>," H x 5-<sup>3/16</sup>," D

Surface Mount Mini-Jumbo Roll Dispenser shall be:

Vandal Stop Products™ Model: OFUX2-MJ

\*CRES = Corrosion Resistance

Version 2004-1

This document is subject to change without formal notice.

Vandal Stop Products™

P.O. Box 55, Chico, CA 95927

Phone: 888-904-7867 FAX 530-343-5167

Web Site: <http://www.vandalstop.com>