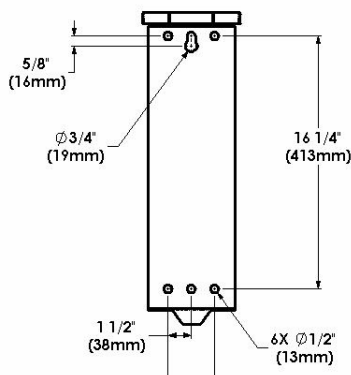
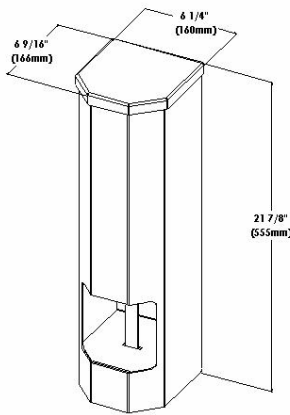


# VANDALSTOP PRODUCTS™

## TECHNICAL DATA SHEET

MODEL # RD3-4

### THREE OR FOUR ROLL (4<sup>TH</sup> ROLL OPTIONAL)



#### 3-4 ROLL TOILET TISSUE DISPENSER

- VANDAL RESISTANT
- DRIP DEFLECTIVE
- SHROUDED PADLOCK HASP
- SURFACE MOUNTED
- MEETS CRES® SPECIFICATIONS
- LIFETIME FUNCTIONAL WARRANTY

#### CONSTRUCTION:

##### HOUSING AND LID:

- Manufactured from 12-gauge 316L stainless steel.

##### FINISH

- Stainless steel satin # 4 finish.

##### MOUNTING

- Six 1/2-inch surface mounting hole placements.

##### CAPACITY:

- Accepts 3 or 4 standard-core 5" toilet tissue paper.
- Fourth roll optional.

#### INSTALLATION:

Secure fixture to wall with appropriate 1/2" stainless steel anchoring hardware for optimal installation strength (not provided). Recommend 3/4" or greater back bracing for walls. Partitions may require T-nuts or other suitable anchoring devices. When possible it is recommended that units be through bolted back-to-back providing optimal installation strength.

#### GUIDE SPECIFICATION:

Dispenser shall be constructed with American-made 12 gauge 316L stainless steel assembled with TIG welds, polished smooth and edges de-burred. Dispenser shall not be cross-metal contaminated during manufacturing construction. Dispenser shall have housing covering tissue paper and have protective shroud for regular padlock use. Dispenser shall have 1/2 inch mounting holes. Dispenser shall be drip deflective and shall include a lifetime functional warranty.

Overall dimensions: 6-<sup>1/4</sup>," W x 21-<sup>7/8</sup>," H x 6-<sup>9/16</sup>," D

#### Surface Mount Roll Dispenser shall be:

**Vandal Stop Products™ Model: RD3-4**

\*CRES = Corrosion Resistance

Version 2004-1

This document is subject to change without formal notice.

Vandal Stop Products™

P.O. Box 55, Chico, CA 95927

Phone: 888-904-7867 FAX 530-343-5167

Web Site: <http://www.vandalstop.com>