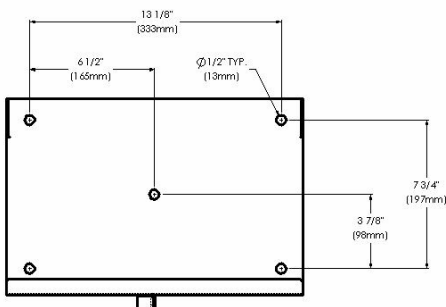
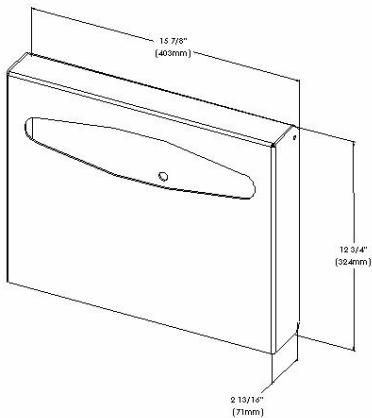


VANDALSTOP PRODUCTS™

TECHNICAL DATA SHEET

MODEL # SCD

SEAT COVER DISPENSER



TOILET SEAT COVER DISPENSER

- VANDAL RESISTANT
- DRIP DEFLECTIVE
- SHROUDED PADLOCK HASP
- SURFACE MOUNTED
- MEETS CRES* SPECIFICATIONS
- LIFETIME FUNCTIONAL WARRANTY

CONSTRUCTION:

HOUSING, HINGED DOOR

- Manufactured from 12-gauge 316L stainless steel.

FINISH:

- Stainless steel satin # 4 finish.

MOUNTING:

- Five-1/2 inch surface mounting placements.

CAPACITY:

- Accepts 6 half-size or 3 full-size seat cover paper product.

INSTALLATION:

Secure fixture to wall with appropriate 1/2" stainless steel anchoring hardware for optimal installation strength (not provided). Recommend 3/4" or greater back bracing for walls. Partitions may require T-nuts or other suitable anchoring devices. When possible it is recommended that units be through bolted back-to-back providing optimal installation strength.

GUIDE SPECIFICATION:

Dispenser shall be constructed with American-made 12 gauge 316L stainless steel assembled with TIG welds, polished smooth and edges de-burred. Dispenser shall not be cross-metal contaminated during manufacturing construction. Dispenser shall have housing covering tissue paper and have hasp for regular padlock use. Dispenser shall have 1/2 inch mounting holes. Dispenser shall be drip deflective and shall include a lifetime functional warranty.

Overall dimensions: 15^{-7/8} " W x 12^{-3/4}," H x 2^{-13/16}," D

Surface Mount Toilet Seat Cover Dispenser shall be:

Vandal Stop Products™ Model: SCD

*CRES = Corrosion Resistance

Version 2004-1

This document is subject to change without formal notice.

Vandal Stop Products™

P.O. Box 55, Chico, CA 95927

Phone: 888-904-7867 FAX 530-343-5167

Web Site: <http://www.vandalstop.com>