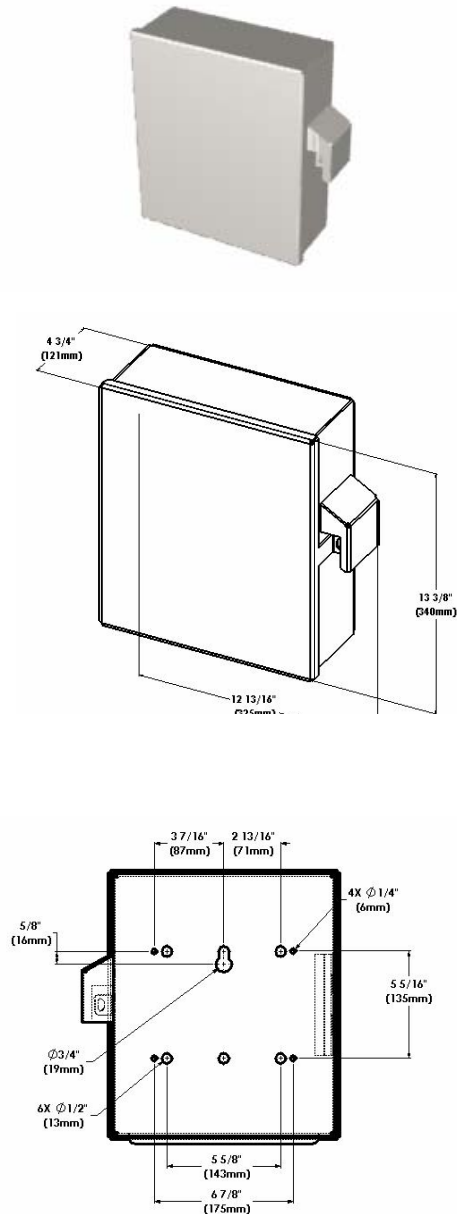


VANDALSTOP PRODUCTS™

TECHNICAL DATA SHEET

MODEL # PTB-CF

C-FOLD PAPER TOWEL DISPENSER



C-FOLD NARROW TOWEL DISPENSER

- VANDAL RESISTANT
- DRIP DEFLECTIVE
- SHROUDED PADLOCK HASP
- SURFACE MOUNTED
- MULTIPLE PAPER STYLES
- MEETS CRES® SPECIFICATIONS
- LIFETIME FUNCTIONAL WARRANTY

CONSTRUCTION:

HOUSING, HINGED DOOR:

- Manufactured from 12-gauge 316L stainless steel.

FINISH

- Stainless steel satin # 4 finish.

MOUNTING

- Six-1/2 inch surface mounting hole placements.

CAPACITY:

- 2 packages of narrow style C-fold, Tri-fold or Multi-fold paper towel bundles.

INSTALLATION:

Secure fixture to wall with appropriate 1/2" stainless steel anchoring hardware for optimal installation strength (not provided). Recommend 3/4" or greater back bracing for walls. Partitions may require T-nuts or other suitable anchoring devices.

GUIDE SPECIFICATION:

Dispenser shall be constructed with American-made 12 gauge 316L stainless steel assembled with TIG welds, polished smooth and edges de-burred. Dispenser shall not be cross-metal contaminated during manufacturing construction. Dispenser shall have housing covering tissue paper and have protective shroud for regular padlock use. Dispenser shall have 1/2 inch mounting holes. Dispenser shall accept multiple paper styles, be drip deflective and shall include a lifetime functional warranty

Overall dimensions 13^{-3/8"} H x 12^{-3/16"} W x 4^{-3/4"} D

Surface Mount Paper Towel Dispenser shall be:

Vandal Stop Products™ Model: PTB-CF

*CRES = Corrosion Resistance

Version 2004-1

This document is subject to change without formal notice.

Vandal Stop Products™

P.O. Box 55, Chico, CA 95927

Phone: 888-904-7867 FAX 530-343-5167

Web Site: <http://www.vandalstop.com>