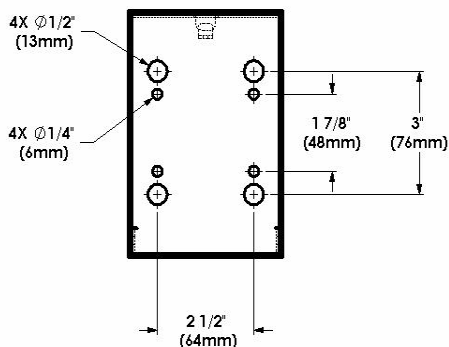
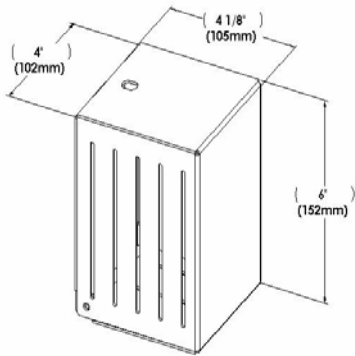


VANDALSTOP PRODUCTS™

TECHNICAL DATA SHEET

MODEL # AF-MVS

BULK AIR FRESHNER



BULK AIR FRESHNER FIXTURE

- VANDAL RESISTANT
- CAM LOCK
- USES BULK PRODUCT CAKE OR GEL
- SURFACE MOUNTED
- MEETS CRES* SPECIFICATIONS
- LIFETIME FUNCTIONAL WARRANTY

CONSTRUCTION:

HOUSING, HINGED ACCESS

- Manufactured from 14-gauge 316L stainless steel.

FINISH

- Stainless steel satin # 4 finish.

MOUNTING

- Four-1/2 inch surface mounting hole placements.

CAPACITY

- Bulk Cake or Gel products.

INSTALLATION:

Secure fixture to wall with appropriate 1/2 inch stainless steel anchoring hardware for optimal installation strength (not provided). Recommend 3/4 inch or greater back bracing for walls. Partitions may require T-nuts or other suitable anchoring devices. When possible it is recommended that units be through bolted back-to-back providing optimal installation strength.

GUIDE SPECIFICATION:

Dispenser shall be constructed with American-made 14 gauge 316L stainless steel assembled with TIG welds, polished smooth and edges de-burred. Dispenser shall not be cross metal contaminated during manufacturing construction. Dispenser shall have 4 - 1/2 inch mounting holes. Dispenser shall include a lifetime functional warranty.

Overall dimensions: 4-^{1/8}” W x 6” H x 4” D

Surface Mount Air Freshner Dispenser shall be:

Vandal Stop Products™ Model: AF-MVS

*CRES = Corrosion Resistance

Version 2004-1

This document is subject to change without formal notice.

Vandal Stop Products™

P.O. Box 55, Chico, CA 95927

Phone: 888-904-7867 FAX 530-343-5167

Web Site: <http://www.vandalstop.com>