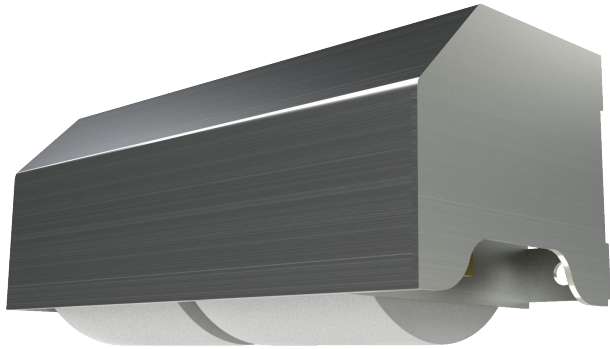




AA-HRTDx2E: Two Standard Roll Toilet Paper Dispenser



Features:

- Vandal Resistant
- Industrial Grade Heavy Duty
- Made in USA
- Drip Deflective
- Shroud Protected Padlock
- Surface Mounted
- Accommodates Multiple Paper Styles
- Corrosion Resistant
- 20 year Warranty against Vandalism available (12 gauge)

Dimensions: 12" x 5 3/4" x 5 5/8" (WxHxD)

Material Options:

- 12 gauge 304L Stainless Steel
- 16 gauge 304L Stainless Steel
- 12 gauge 316L Stainless Steel

Model Names:

- AA-HRTDx2E-304L-12g
- AA-HRTDx2E-304L-16g
- AA-HRTDx2E-316L-12g

Finish: Stainless Steel Satin # 4 Finish

Mounting: 3/8" Mounting Hole Placements

Capacity:

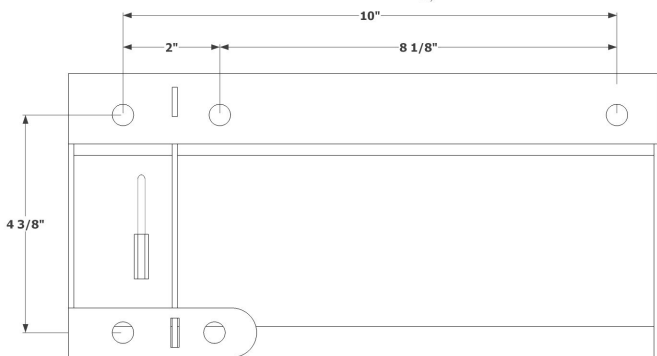
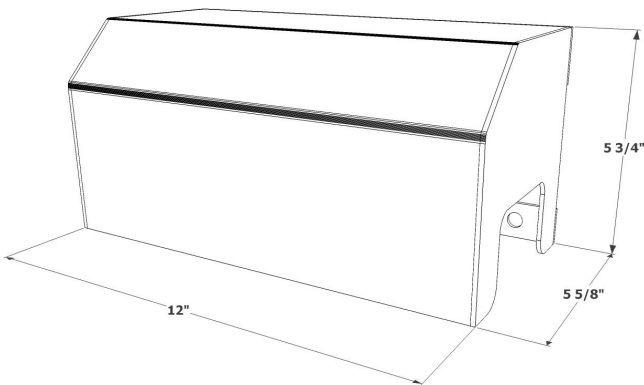
- 2 Standard Core 5-1/4"
- 2 High Density 5" Coreless

Installation: Secure fixture to wall with appropriate 3/8" Stainless Steel anchoring hardware for optimal installation strength (not provided). Recommend 3/4" or greater back bracing for walls. Partitions may require T-nuts or other suitable anchoring devices. When possible it is recommended that units be through bolted back-to-back providing optimal installation strength.

Guide Specification: Dispenser shall be constructed with American made, 12 or 16 gauge 304L or 12 gauge 316L Stainless Steel joined /w TIG welds and edges de-burred. Dispenser shall not be cross-metal contaminated during manufacturing construction. Dispenser housing shall provide protective cover for tissue paper against drip and spray. Protective shroud adds security for padlock. Dispenser shall have 3/8" mounting holes. Dispenser shall accept multiple paper styles. 12 Gauge models shall include a 10 year standard or 20 year optional functional warranty against vandalism when properly installed and locked while in service.

Warranty Key (See Website for Details):

- 12g SS: 10yr standard or 20yr optional Vandalism Warranty
- 16g SS: 5yr Functional Warranty for Heavy Use Facilities



www.vandalstop.com

Phone
(530) 894 7867

Vandal Stop Products by Atlas American LLC
1930 Village Center Circle #3-5871
Las Vegas, NV 89134

E-Mail
sales@vandalstop.com