



AA-HRTDx3E: Three Standard Roll Toilet Paper Dispenser

Features:

- Made in USA
- Drip Deflective
- Shroud Protected Padlock
- Surface Mounted
- Accommodates Multiple Paper Styles
- Corrosion Resistant
- 20 year Warranty against Vandalism available (12 gauge)

Dimensions: 16 5/8" x 5 3/4" x 5 5/8" (WxHxD)

Material Options:

- 12 gauge 304L Stainless Steel
- 16 gauge 304L Stainless Steel
- 12 gauge 316L Stainless Steel

Model Names:

- AA-HRTDx3E-304L-12g
- AA-HRTDx3E-304L-16g
- AA-HRTDx3E-316L-12g

Finish: Stainless Steel Satin # 4 Finish

Mounting: 3/8" Mounting Hole Placements

Capacity:

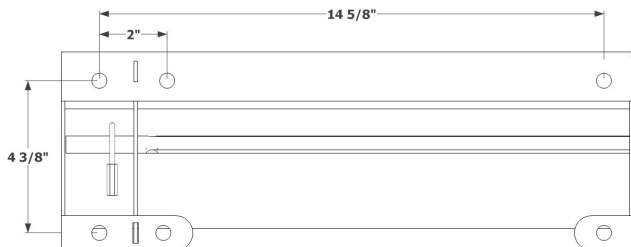
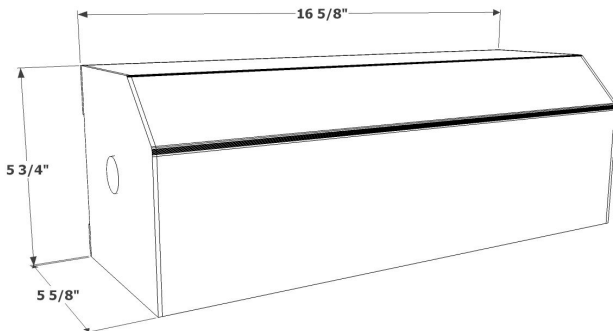
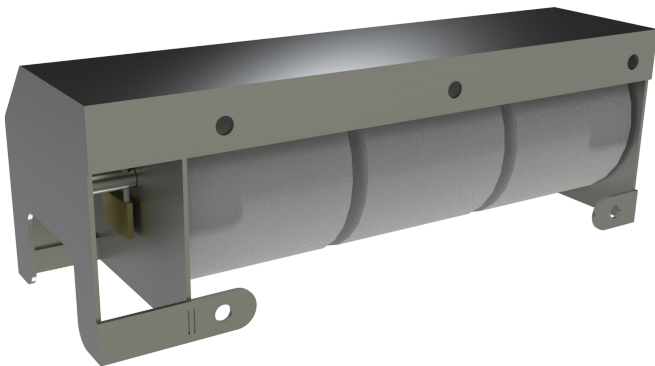
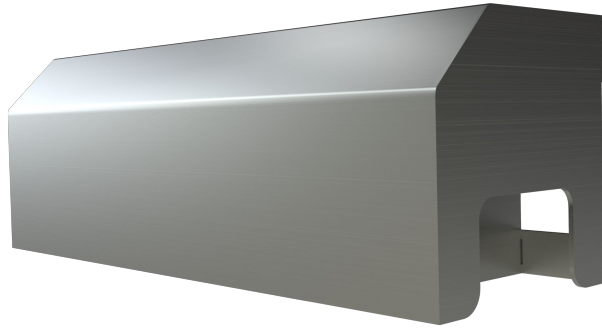
- 3 Standard Core 5-1/4"
- 3 High Density 5" Coreless

Installation: Secure fixture to wall with appropriate 3/8" Stainless Steel anchoring hardware for optimal installation strength (not provided). Recommend 3/4" or greater back bracing for walls. Partitions may require T-nuts or other suitable anchoring devices. When possible it is recommended that units be through bolted back-to-back providing optimal installation strength.

Guide Specification: Dispenser shall be constructed with American made, 12 or 16 gauge 304L or 12 gauge 316L Stainless Steel joined /w TIG welds and edges de-burred. Dispenser shall not be cross-metal contaminated during manufacturing construction. Dispenser housing shall provide protective cover for tissue paper against drip and spray. Protective shroud adds security for padlock. Dispenser shall have 3/8" mounting holes. Dispenser shall accept multiple paper styles. 12 Gauge models shall include a 10 year standard or 20 year optional functional warranty against vandalism when properly installed and locked while in service. 316L SS shall be used for US Navy maritime use or if exposure to salt water is prevalent.

Warranty Key (See Website for Details):

- 12g SS: 10yr standard or 20yr optional Vandalism Warranty
- 16g SS: 5yr Functional Warranty for Heavy Use Facilities



Phone
(530) 894 7867

www.vandalstop.com

Vandal Stop Products by Atlas American LLC
1930 Village Center Circle #3-5871
Las Vegas, NV 89134

E-Mail
sales@vandalstop.com