



## VSP-OFUx2

### Two Standard Roll Toilet Paper Dispenser



**Features:**

- Vandal Resistant
- Spray and Drip Deflective
- Protective Shroud for Padlock
- Surface Mounted
- Accommodates Multiple Paper Styles
- Corrosion Resistant
- Industry Leading Warranty against Vandalism

**Dimensions:** 15 3/8" x 6 3/8" x 5 1/4" (WxHxD)

**Material Options:**

- 12-gauge 304L Stainless Steel
- 14-gauge 304L Stainless Steel
- 12-gauge 316L Stainless Steel

**Model Names:**

- VSP-OFUx2-304L-12g
- VSP-OFUx2-304L-14g
- VSP-OFUx2-316L-12g

**Finish:** Stainless Steel Satin # 4 Finish

**Mounting:** 3/8" Surface Mounting Hole Placements

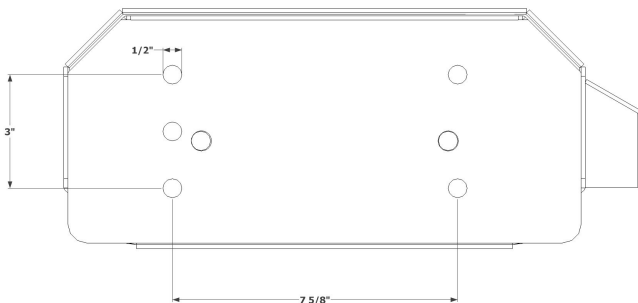
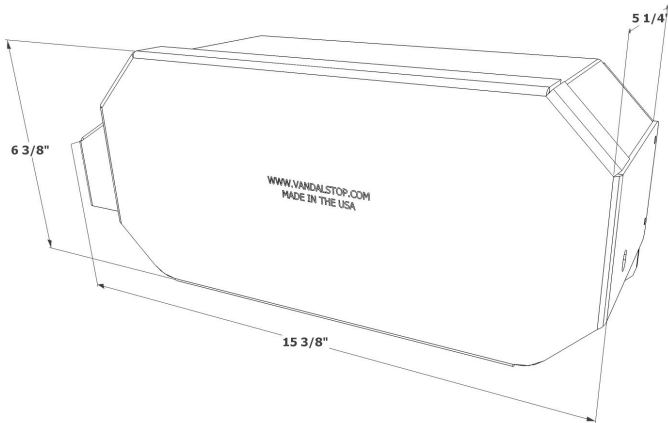
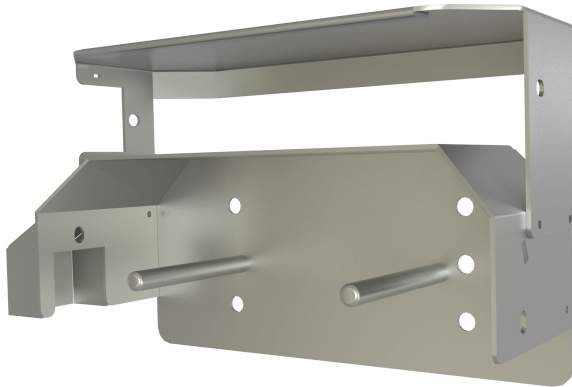
**Capacity:**

- 2 - 5" Standard Rolls
- 2 - 5" High Density Rolls

**Installation:** Secure fixture to wall with appropriate 3/8" stainless steel anchoring hardware for optimal installation strength (not provided). Recommend 3/4" or greater back bracing for walls. Partitions may require T-nuts or other suitable anchoring devices. When possible it is recommended that units be through bolted back-to-back providing optimal installation strength.

**Guide Specification:** Dispenser shall be constructed with American made, 12 or 14 gauge 304L or 12 gauge 316L Stainless Steel joined /w TIG welds and edges de-burred. Dispenser shall not be cross-metal contaminated during manufacturing construction. Dispenser housing shall provide protective cover for tissue paper against drip and spray. Protective shroud adds security for padlock. Dispenser shall have 3/8" mounting holes. Dispenser shall accept multiple paper styles. 316L SS shall be used for US Navy maritime use or if exposure to salt water is prevalent.

**Warranty:** See Website Product Page for Details.



**Phone**  
(530) 894 7867

**www.vandalstop.com**

Vandal Stop Products by Atlas American LLC  
1930 Village Center Circle #3-5871  
Las Vegas, NV 89134

**E-Mail**  
sales@vandalstop.com