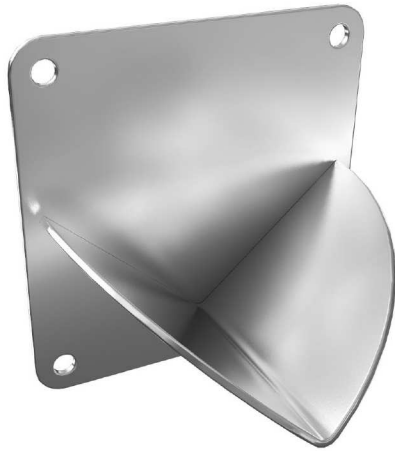




AA-TP1-CDCR: Single Roll Toilet Paper Holder



Features:

- Meets CDCR Requirements
- Made in USA
- Anti-Litigure Design with Sloped Surfaces
- Surface Mounted
- Corrosion Resistant
- Industry Leading Warranty against Vandalism
- Full Seam Welding

Dimensions: 6" x 6" x 4" (WxHxD)

Material Options:

- 12-gauge 304L Stainless Steel

Model Names:

- AA-TP1-CDCR-304L-12g

Finish: Stainless Steel Satin # 4 Finish

Mounting: 3/8" Surface Mounting Hole Placements

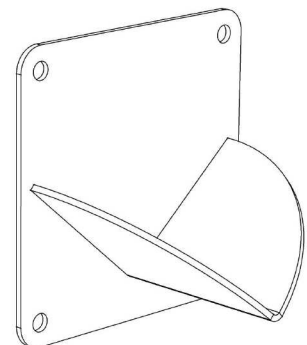
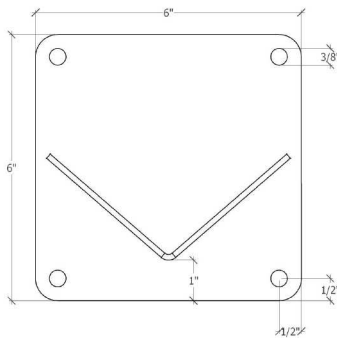
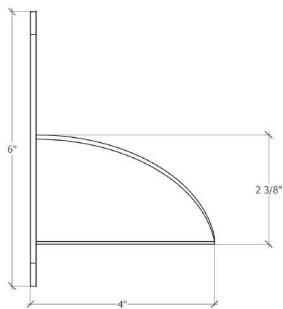
Capacity: 1 Standard 5" Toilet Paper Roll

Installation: Secure fixture to wall with appropriate 3/8" stainless steel anchoring hardware for optimal installation strength (not provided). Recommend 3/4" or greater back bracing for walls.

Guide Specification: Dispenser shall be constructed with American made, 12 gauge 304L or 12 gauge 316L Stainless Steel joined /w full seam TIG welding and edges de-burred. Dispenser shall not be cross-metal contaminated during manufacturing construction. Dispenser shall have 3/8" mounting holes.

Warranty Key (See Website for Details):

- 12g SS: 15yr standard or 25yr optional Vandalism Warranty



Phone
(530) 894 7867

www.vandalstop.com

Vandal Stop Products by Atlas American LLC
1930 Village Center Circle #3-5871
Las Vegas, NV 89134

E-Mail
sales@vandalstop.com