



AA-EB-2R Outdoor Electrical Outlet Security Box



Features:

- Vandal Resistant
- Spray and Drip Deflective
- Protective Shroud for Padlock
- Surface Mounted
- Fits Standard Size Outdoor Electrical Box
- Corrosion Resistant
- Industry Leading Warranty against Vandalism

Dimensions: 6 7/8" x 6 1/2" x 3 3/4" (WxHxD)

Material Options:

- 12-gauge 304L Stainless Steel
- 12-gauge 316L Stainless Steel

Model Names:

- AA-EB-2R-304L-12g
- AA-EB-2R-316L-12g

Finish: Stainless Steel Satin # 4 Finish

Mounting: 3/8" Surface Mounting Hole Placements

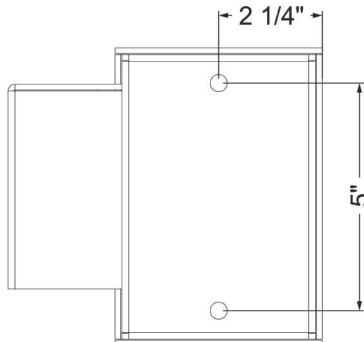
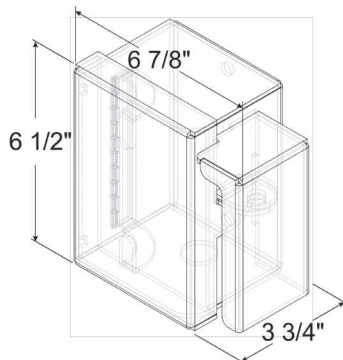
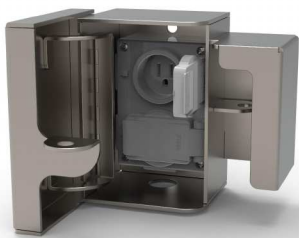
Capacity: Standard Size Outdoor Sprinkler Timer Controller

Installation: Secure fixture to wall with appropriate 3/8" stainless steel anchoring hardware for optimal installation strength (not provided). Recommend 3/4" or greater back bracing for walls. Partitions may require T-nuts or other suitable anchoring devices. When possible it is recommended that units be through bolted back to back providing optimal installation strength.

Guide Specification: Security Box shall be constructed with American made, 12 gauge 304L or 12 gauge 316L Stainless Steel joined /w TIG welds and edges de-burred. Security Box shall not be cross-metal contaminated during manufacturing construction. Security Box shall provide protective cover against drip and spray. Protective shroud adds security for padlock. Dispenser shall have 3/8" mounting holes. Security Box shall accommodate standard sprinkler timer styles. 316L SS shall be used for US Navy maritime use or if exposure to salt water is prevalent.

Warranty Key (See Website for Details):

- 12g SS: 15yr standard or 25yr optional Vandalism Warranty



Phone
(530) 894 7867

www.vandalstop.com

Vandal Stop Products by Atlas American LLC
1930 Village Center Circle #3-5871
Las Vegas, NV 89134

E-Mail
sales@vandalstop.com