



## AA-EB-ST1 Outdoor Sprinkler Timer Security Box



**Features:**

- Vandal Resistant
- Spray and Drip Deflective
- Protective Shroud for Padlock
- Surface Mounted
- Protects Outdoor Sprinkler Timer from Tampering
- Corrosion Resistant
- Industry Leading Warranty against Vandalism

**Dimensions:** 15 7/8" x 9 1/2" x 6 1/4" (WxHxD)

**Material Options:**

- 12-gauge 304L Stainless Steel
- 12-gauge 316L Stainless Steel

**Model Names:**

- AA-EB-ST1-304L-12g
- AA-EB-ST1-316L-12g

**Finish:** Stainless Steel Satin # 4 Finish

**Mounting:** 3/8" Surface Mounting Hole Placements

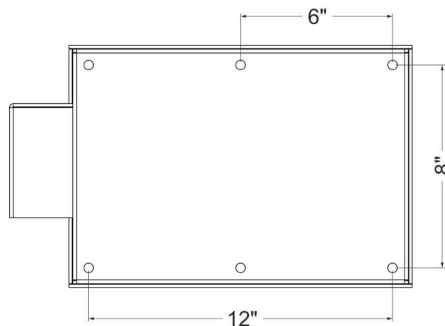
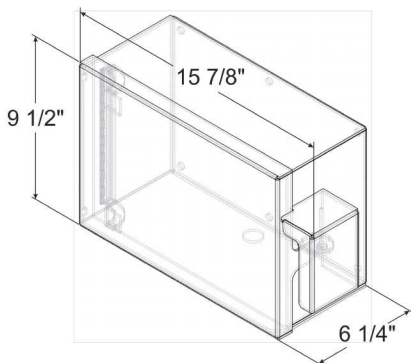
**Capacity:** Fits Standard Outdoor Sprinkler Timer

**Installation:** Secure fixture to wall with appropriate 3/8" stainless steel anchoring hardware for optimal installation strength (not provided). Recommend 3/4" or greater back bracing for walls. Partitions may require T-nuts or other suitable anchoring devices. When possible it is recommended that units be through bolted back to back providing optimal installation strength.

**Guide Specification:** Security Box shall be constructed with American made, 12 gauge 304L or 12 gauge 316L Stainless Steel joined /w TIG welds and edges de-burred. Security Box shall not be cross-metal contaminated during manufacturing construction. Security Box shall provide protective cover against drip and spray. Protective shroud adds security for padlock. Dispenser shall have 3/8" mounting holes. Security Box shall accommodate standard sprinkler timer styles. 316L SS shall be used for US Navy maritime use or if exposure to salt water is prevalent.

**Warranty Key (See Website for Details):**

- 12g SS: 15yr standard or 25yr optional Vandalism Warranty



Phone  
(530) 894 7867

[www.vandalstop.com](http://www.vandalstop.com)

Vandal Stop Products by Atlas American LLC  
1930 Village Center Circle #3-5871  
Las Vegas, NV 89134

E-Mail  
sales@vandalstop.com