



AA-PTD-N-CDCR

Narrow Fold Paper Towel Dispenser - California Department of Corrections (CDCR) Approved



Features:

- Vandal Resistant
- Spray and Drip Deflective
- Accepts Standard Padlock
- Surface Mounted
- Accommodates Multiple Paper Styles
- Corrosion Resistant
- California Department of Corrections (CDCR) Approved
- Industry Leading Warranty against Vandalism

Dimensions: 12 1/4" x 6 1/8" x 4" (WxHxD)

Material Options:

- 12-gauge 304L Stainless Steel
- 12-gauge 316L Stainless Steel

Model Names:

- AA-PTD-N-CDCR-304L-12g
- AA-PTD-N-CDCR-316L-12g

Finish: Stainless Steel Satin # 4 Finish

Mounting: 3/8" Surface Mounting Hole Placements

Capacity:

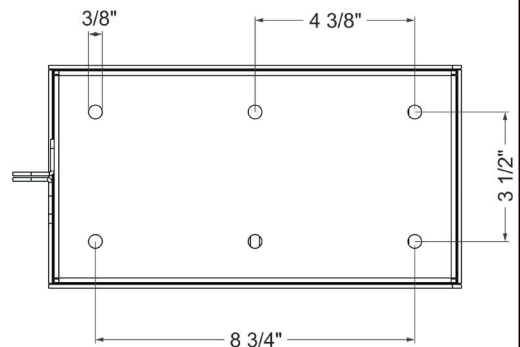
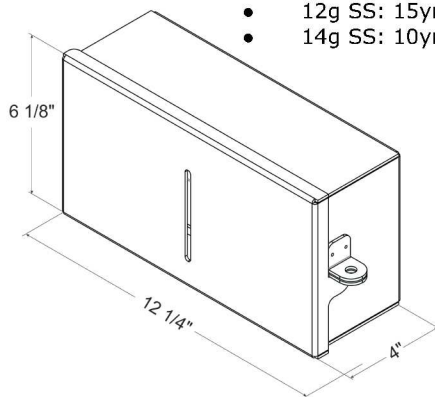
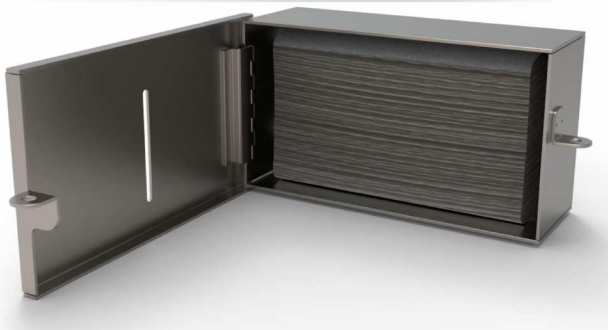
- 1 Package of Narrow Style C-fold,
- 1 Package of Tri-fold
- 1 Package of Multifold Paper Towel Bundles.

Installation: Secure fixture to wall with appropriate 3/8" stainless steel anchoring hardware for optimal installation strength (not provided). Recommend 3/4" or greater back bracing for walls. Partitions may require T-nuts or other suitable anchoring devices.

Guide Specification: Dispenser shall be constructed with American made, 12 or 14 gauge 304L or 12 gauge 316L Stainless Steel joined /w TIG welds and edges de-burred. Dispenser shall not be cross-metal contaminated during manufacturing construction. Dispenser housing shall provide protective cover for paper towels against drip and spray. Protective shroud adds security for padlock. Dispenser shall have 3/8" mounting holes. Dispenser shall accept multiple paper styles. 316L SS shall be used for US Navy maritime use or if exposure to salt water is prevalent.

Warranty Key (See Website for Details):

- 12g SS: 15yr standard or 25yr optional Vandalism Warranty
- 14g SS: 10yr Functional Warranty for Heavy Use Facilities



Phone
(530) 894 7867

www.vandalstop.com

Vandal Stop Products by Atlas American LLC
1930 Village Center Circle #3-5871
Las Vegas, NV 89134

E-Mail
sales@vandalstop.com