



## AA-MJRD-KLx2

### Two Mini Jumbo Roll Toilet Paper Dispenser with Key Lock



**Features:**

- Vandal Resistant
- Spray and Drip Deflective
- Bottom Mounted & Accessed Protected Key Lock
- Surface Mounted
- Accommodates Multiple Paper Styles
- Corrosion Resistant
- Industry Leading Warranty against Vandalism

**Dimensions:** 2 3/8" x 11" x 4 7/8" (WxHxD)

**Material Options:**

- 12-gauge 304L Stainless Steel
- 12-gauge 316L Stainless Steel

**Model Names:**

- VSP-MJRDx2-304L-12g
- VSP-MJRDx2-316L-12g

**Finish:** Stainless Steel Satin # 4 Finish

**Mounting:** 3/8" Surface Mounting Hole Placements

**Capacity:**

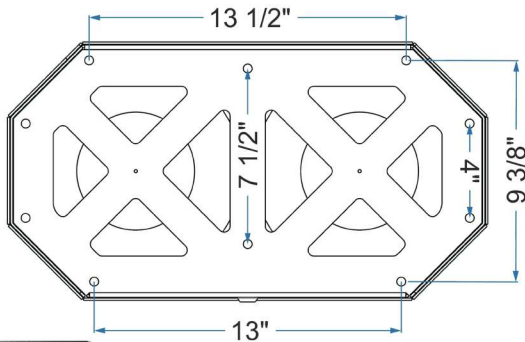
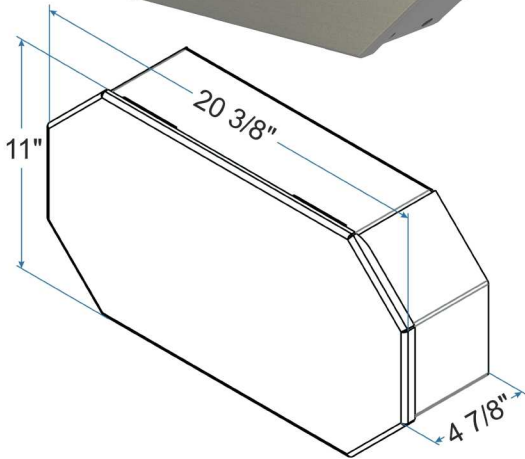
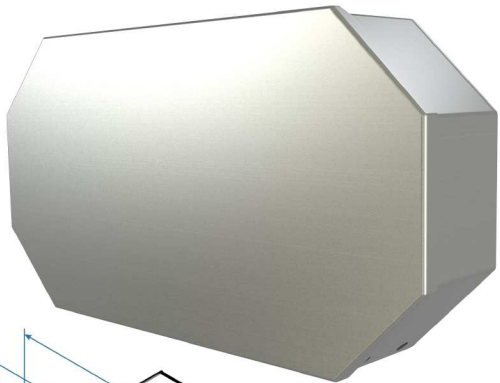
- 2 Standard 9" Mini-Jumbo Rolls

**Installation:** Secure fixture to wall with appropriate 3/8" stainless steel anchoring hardware for optimal installation strength (not provided). Recommend 3/4" or greater back bracing for walls. Partitions may require T-nuts or other suitable anchoring devices. When possible it is recommended that units be through bolted back-to-back providing optimal installation strength.

**Guide Specification:** Dispenser shall be constructed with American made, 12 gauge 304L or 12 gauge 316L Stainless Steel joined /w TIG welds and edges de-burred. Dispenser shall not be cross-metal contaminated during manufacturing construction. Dispenser housing shall provide protective cover for tissue paper against drip and spray. Protective shroud adds security for padlock. Dispenser shall have 3/8" mounting holes. Dispenser shall accept multiple paper styles. 316L SS shall be used for US Navy maritime use or if exposure to salt water is prevalent.

**Warranty Key (See Website for Details):**

- 12g SS: 15yr standard or 25yr optional Vandalism Warranty



[www.vandalstop.com](http://www.vandalstop.com)

Phone  
(530) 894 7867

Vandal Stop Products by Atlas American LLC  
1930 Village Center Circle #3-5871  
Las Vegas, NV 89134

E-Mail  
sales@vandalstop.com