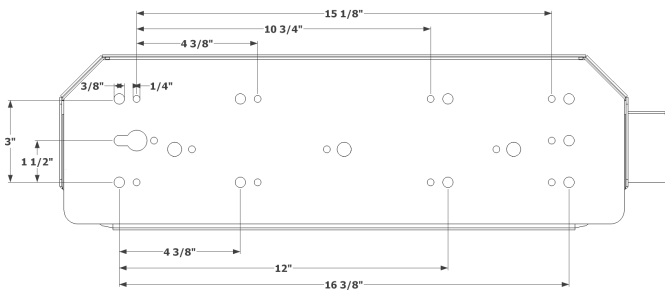
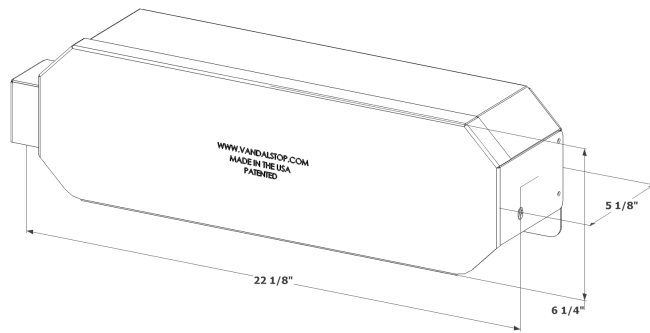
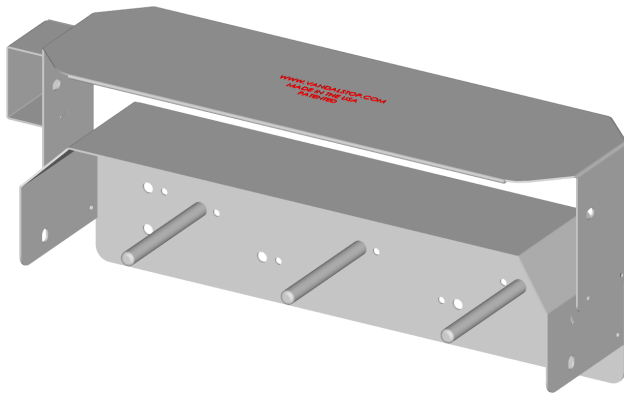
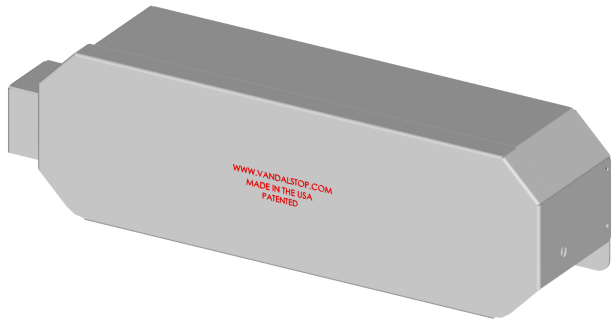




## VSP-OFUx3: Technical Data Sheet



### Features:

- Vandal Resistant
- Spray and Drip Deflective
- Protective Shroud for Padlock
- Surface Mounted
- Accommodates Multiple Paper Styles
- Corrosion Resistant
- Lifetime Functional Limited Warranty (12 gauge)

### Specifications:

- Width: 22-1/8"
- Height: 6-1/4"
- Depth: 5-1/8"
- Weight: 12lbs

### Material Options:

- 14-gauge 304L Stainless Steel
- 12-gauge 304L Stainless Steel
- 12-gauge 316L Stainless Steel

### Finish:

- #4 Brushed Satin

### Mounting:

- Eight 3/8" Surface Mounting Hole Placements

### Capacity:

- 3 - 5-1/4" Standard Rolls
- 3 - 5" High Density Rolls

### Installation:

Secure fixture to wall with appropriate 3/8" stainless steel anchoring hardware for optimal installation strength (not provided). Recommend 3/4" or greater back bracing for walls. Partitions may require T-nuts or other suitable anchoring devices. When possible it is recommended that units be through bolted back-to-back providing optimal installation strength.

### Guide Specification:

Dispenser shall be constructed with American made 12 or 14 gauge 304L or 12 gauge 316L stainless steel with TIG welds, polished smooth and edges de-burred. Dispenser shall not be cross-metal contaminated during manufacturing. Dispenser housing shall protect tissue paper from top and sides, and have protective shroud for regular padlock use. Dispenser shall have eight 3/8" mounting holes. Dispenser shall accept multiple paper styles, be drip deflective and 12 gauge units shall include a lifetime functional limited warranty. See website for warranty details.

### Surface Mount 3 Roll Dispenser Shall Be:

- Vandal Stop Products Model: VSP-OFUx3
- Spec 316L Stainless Steel for Military/Maritime

[www.vandalstop.com](http://www.vandalstop.com)

Phone  
(530)-894-7867

Vandal Stop Products  
1700 Bidwell Avenue  
Chico, CA 95926

E-Mail  
sales@vandalstop.com

