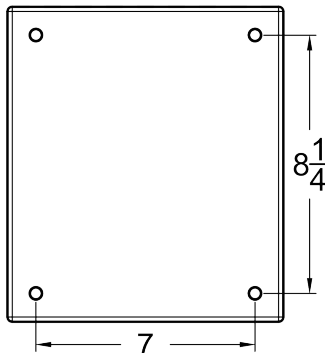
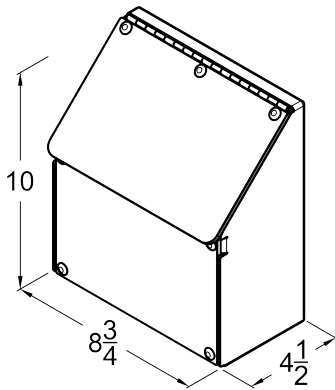




AA-K100

Heavy Duty Map & Brochure Holder / Kiosk with Plexi Lid



Features:

- Heavy Duty Design
- Made in USA
- 10 Year Vandalism Warranty on 12g
- Spray & Drip Deflective
- Surface Mounted
- Corrosion Resistant
- Flexible Applications
- LEED Sustainable Materials
- Fits standard Tri-Fold Brochures

Dimensions: 8 3/4" x 10" x 4 1/2" (WxHxD)

Weight: 10 lbs

Material Options:

- 12-gauge 304L Stainless Steel

Model Names:

- AA-K100-304L-12g

Finish: Stainless Steel Satin #4 Finish

Mounting: 3/8" Surface Mounting Hole Placements. Mounting Hardware is not included due to wide variety of mounting surfaces. Installer must select 3/8" hardware suitable for application.

Installation: Secure fixture to wall with appropriate 3/8" stainless steel anchoring hardware (not provided) for optimal installation strength. Recommend 3/4" or greater back bracing for walls. Partitions may require T-nuts or other suitable anchoring devices. When possible it is recommended that units be through bolted back to back providing optimal installation strength.

Guide Specification: Kiosk shall be constructed with 12 gauge 304L or 12 gauge 316L Stainless Steel joined w/ TIG welds and edges deburred. Shall not be cross-metal contaminated during manufacturing construction. Shall provide protective cover against drip and spray. Dispenser shall have 3/8" mounting holes. 316L SS shall be used for US Navy maritime use or if exposure to salt water is prevalent.

