



## AA-EB-3R replaced with AA-EB-1G-PL

(This item is still available made to order but has been updated with a newer product)  
**One Gang Electrical Outlet Security Box with Padlock**



**Features:**

- Vandal Resistant
- Spray and Drip Deflective
- Protective Shroud for Padlock
- Surface Mounted
- Fits most single-gang duplex receptacle boxes (not included)
- Corrosion Resistant
- Industry Leading Warranty against Vandalism
- Accommodates 1/2" and 3/4" conduit

**Dimensions:**

- Exterior: 8 1/8" x 7 1/2" x 4 3/4" (WxHxD)
- Interior: 5" x 7" x 4 3/8" (WxHxD)
- Rear opening size: 3 1/2" x 5 5/8" (WxH)

**Weight:** 9 lbs

**Material Options:**

- 12-gauge 304L Stainless Steel
- 12-gauge 316L Stainless Steel

**Model Names:**

- AA-EB-3R-304L-12g
- AA-EB-3R-316L-12g

**Finish:** Stainless Steel Satin #4 Finish

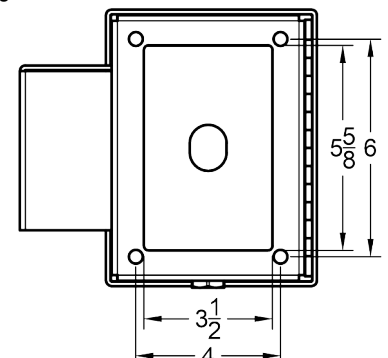
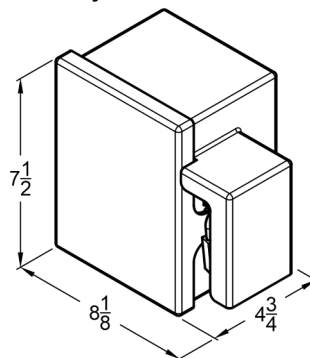
**Mounting:** 3/8" Surface Mounting Hole Placements

**Capacity:** Fits most single-gang duplex receptacle boxes (not included).  
1/2" Conduit, with up to 0.8" outside diameter.

**Installation:** Secure fixture to wall with appropriate 3/8" stainless steel anchoring hardware (not provided) for optimal installation strength. Recommended 3/4" or greater back bracing for walls. Partitions may require T-nuts or other suitable anchoring devices. When possible it is recommended that units be through bolted back to back providing optimal installation strength.

**Guide Specification:** Security Box shall be constructed with American made, 12 gauge 304L or 12 gauge 316L Stainless Steel joined w/ TIG welds and edges deburred. Security Box shall not be cross-metal contaminated during manufacturing construction. Security Box shall provide protective cover against drip and spray. Protective shroud adds security for padlock. Security Box shall have 3/8" mounting holes. Security Box shall accommodate standard single-gang duplex receptacle box styles. 316L SS shall be used for US Navy maritime use or if exposure to salt water is prevalent.

**Warranty:** See Website Product Page for Details.



[www.vandalstop.com](http://www.vandalstop.com)

Phone  
(530) 894 7867

Vandal Stop Products by Atlas American LLC  
1930 Village Center Circle #3-5871  
Las Vegas, NV 89134

E-Mail  
sales@vandalstop.com