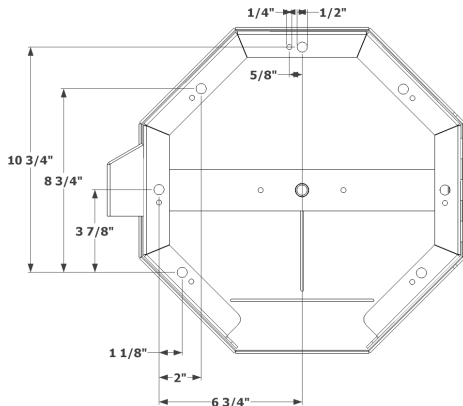
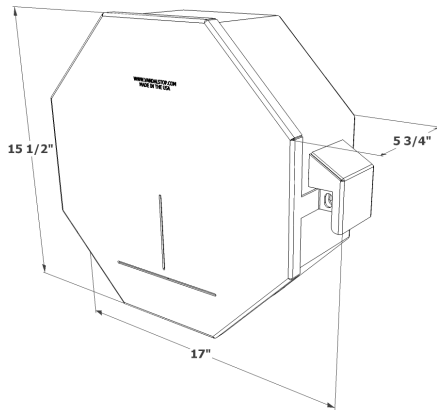
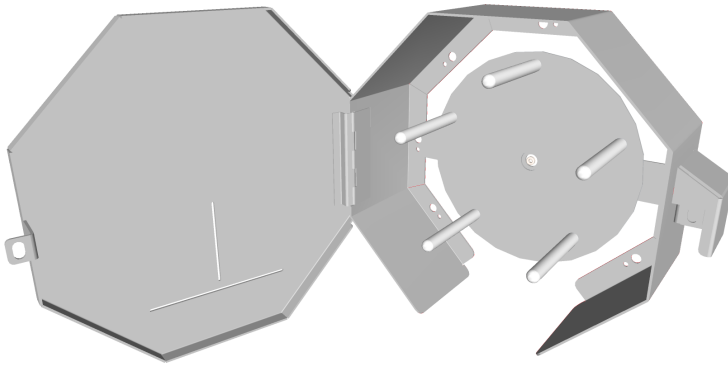




VSP-JRDx5: Technical Data Sheet



Features:

- Vandal Resistant
- Spray and Drip Deflective
- Protective Shroud for Padlock
- Surface Mounted
- Accommodates Multiple Paper Styles
- Corrosion Resistant
- Lifetime Functional Limited Warranty (12 gauge)

Specifications:

- Width: 17"
- Height: 15-1/2"
- Depth: 5-3/4"
- Weight: 14lbs

Material Options:

- 12-gauge 304L Stainless Steel
- 14-gauge 304L Stainless Steel
- 12-gauge 316L Stainless Steel

Finish:

- #4 Brushed Satin

Mounting:

- Seven 1/2" Mounting Hole Placements

Capacity:

- 5 Standard Core 5" Rolls
- 5 High Density 5" Coreless Rolls

Installation:

Secure fixture to wall with appropriate 1/2" stainless steel anchoring hardware for optimal installation strength (not provided). Recommend 3/4" or greater back bracing for walls. Partitions may require T-nuts or other suitable anchoring devices. When possible it is recommended that units be through bolted back-to-back providing optimal installation strength.

Guide Specification:

Dispenser shall be constructed with American made, 12 or 14 gauge 304L or 12 gauge 316L stainless steel joined /w TIG welds, polished smooth and edges de-burred. Dispenser shall not be cross-metal contaminated during manufacturing. Dispenser housing shall protect tissue paper from top and sides, and have protective shroud for regular padlock use. Dispenser shall have 1/2 inch mounting holes. Dispenser shall accept multiple paper styles, be drip deflective. 12 gauge units shall include a lifetime functional limited warranty.

Surface Mount Jumbo Roll Dispenser Shall Be:

- 5-Post Spindle: Model # VSP-JRDx5

www.vandalstop.com

Phone
(530)-894-7867

Vandal Stop Products
1700 Bidwell Avenue
Chico, CA 95926

E-Mail
sales@vandalstop.com



